

# Mounting Your Nestbox

## Materials Needed:

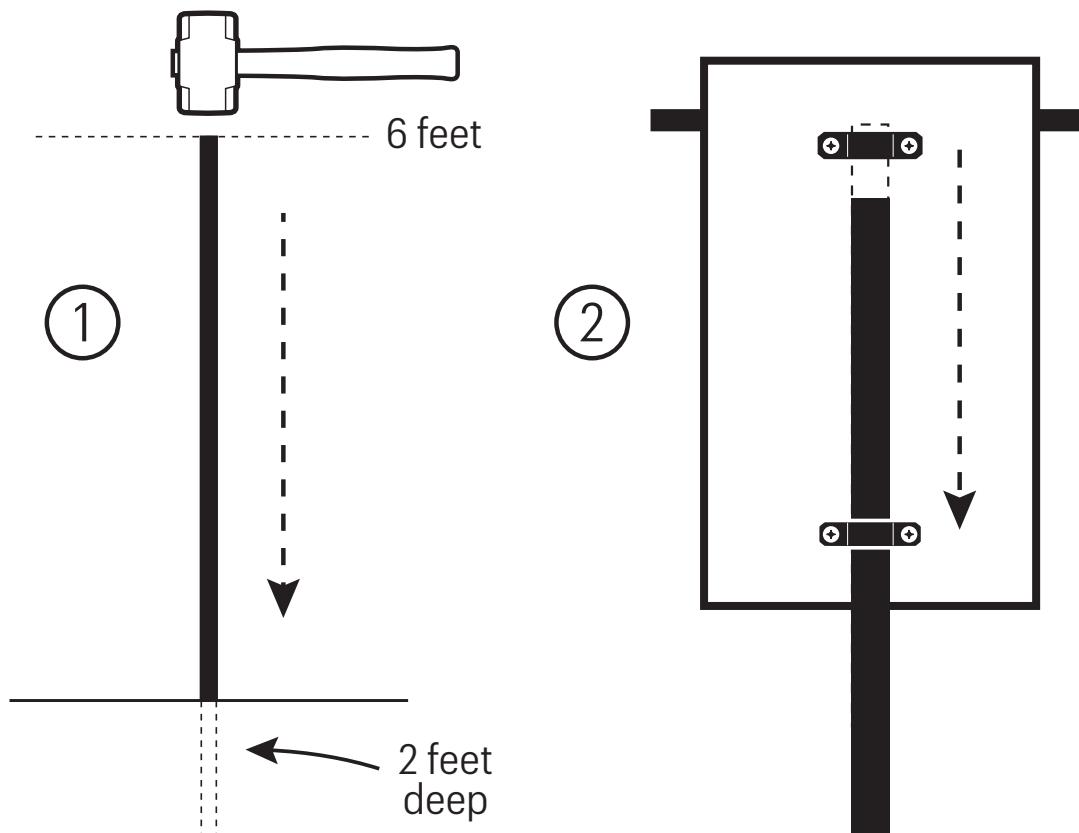
1/2-inch **Electric Metallic Tube Conduit** (10 ft)\*

1/2-inch **Conduit Straps, Screws** (provided)

*\*Available at Home Depot or Lowe's Home Improvement*

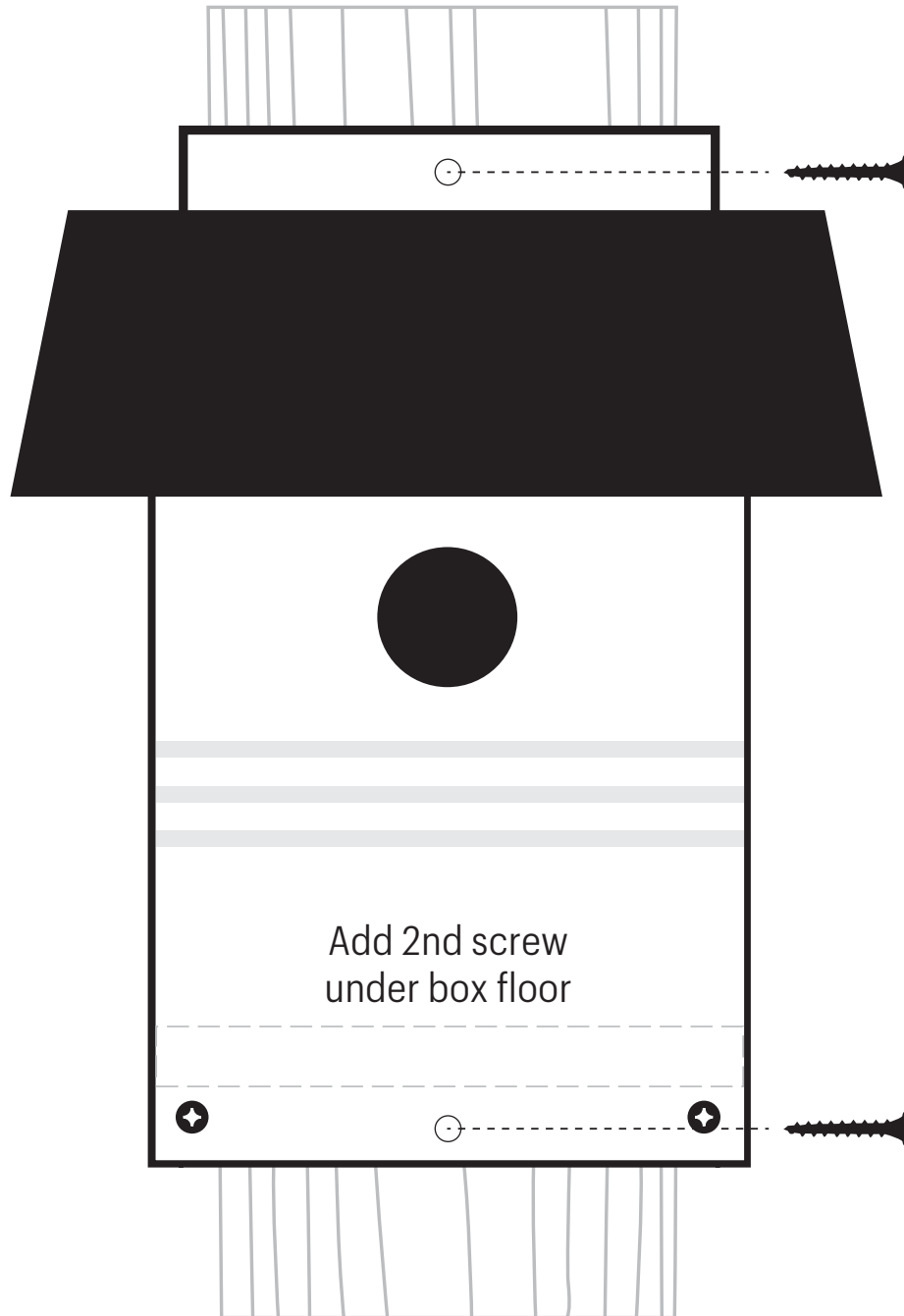
**Step 1.** Cut the conduit pole down to 8 feet, then drive it into the ground (2 feet), to a height of 6 feet.

**Step 2.** Slide the nestbox onto the pole by feeding the pole through the provided straps, then tighten the screws.



# Mounting Your Nestbox

## Wood Post Mount



\*Drill pilot holes before securing the box with exterior screws