

Mounting Your Nestbox

Materials Needed:

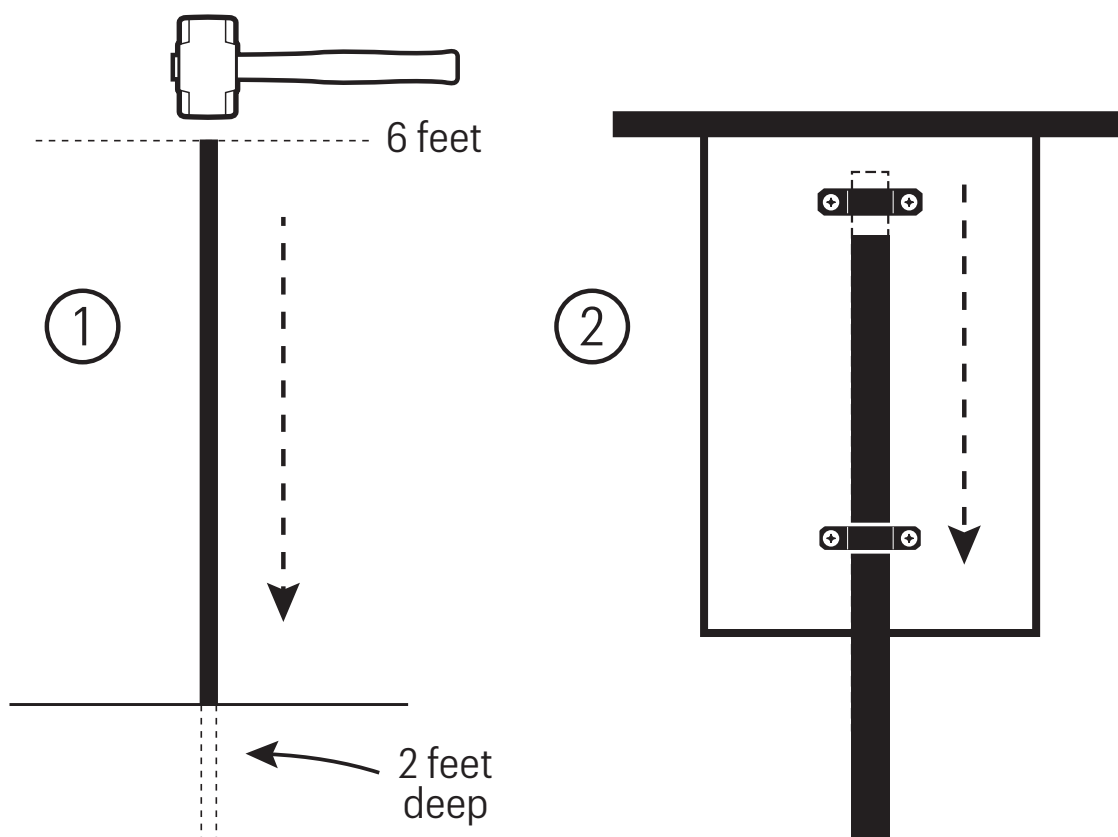
1/2-inch **Electric Metallic Tube Conduit** (10 ft)*

1/2-inch **Conduit Straps, Screws** (provided)

**Available at Home Depot or Lowe's Home Improvement*

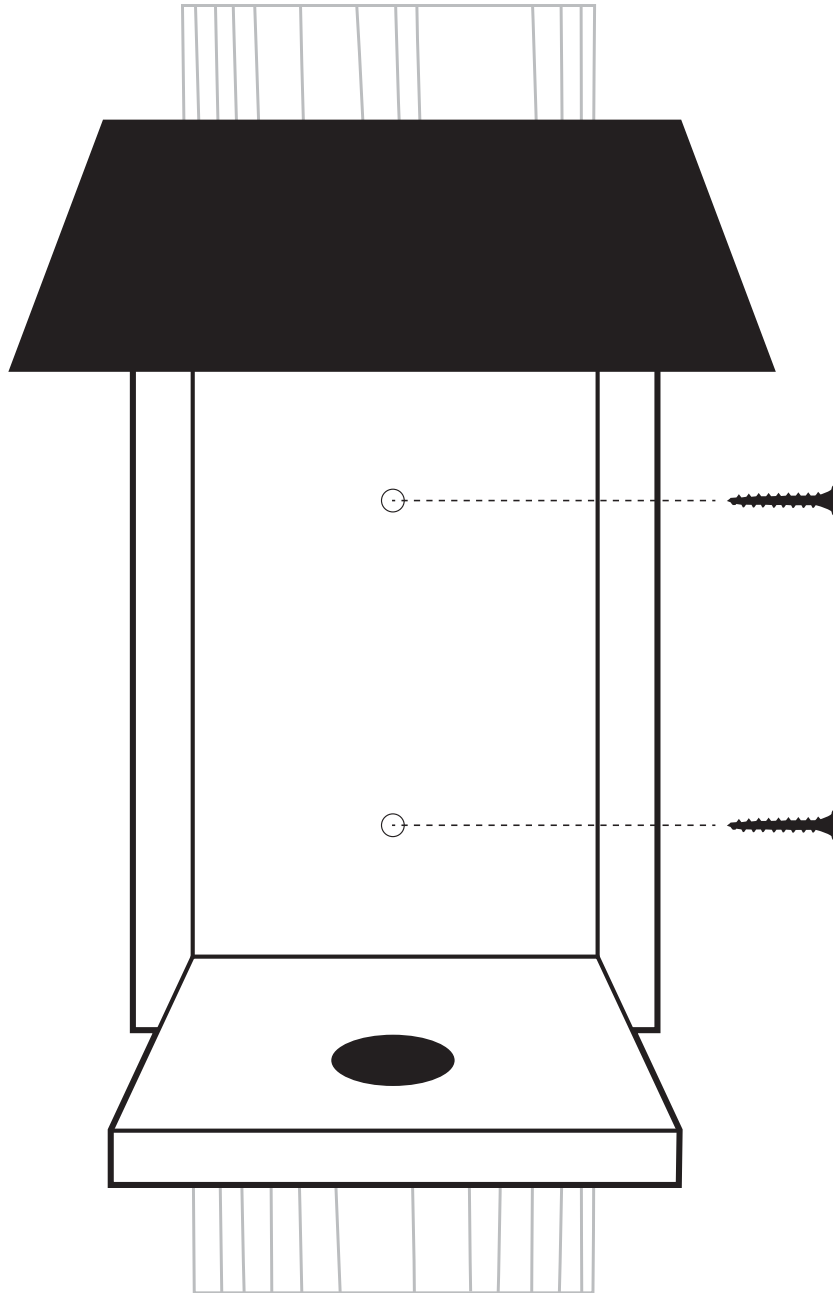
Step 1. Cut the conduit pole down to 8 feet, then drive it into the ground (2 feet), to a height of 6 feet.

Step 2. Slide the nestbox onto the pole by feeding the pole through the provided straps, then tighten the screws.



Mounting Your Nestbox

Wood Post Mount



Drill pilot holes before mounting
the box with exterior screws